

Series 1500 Sliding Glass Doors

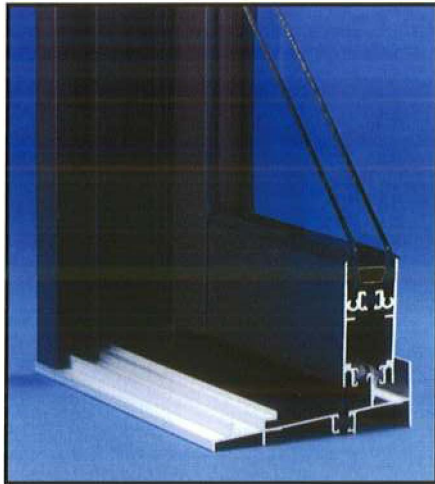
Cambridge
DOORS & WINDOWS

Attractive · Convenient · Energy-Efficient

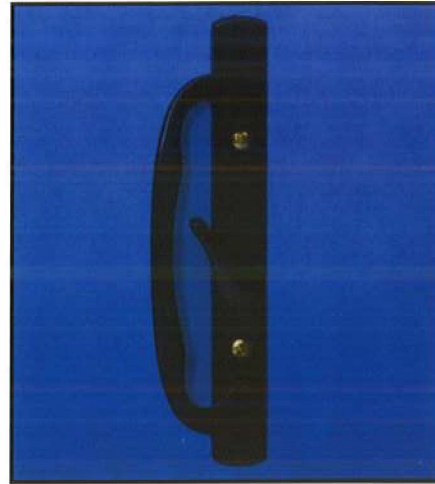


Energy Efficient, Durable & Maintenance Free

Custom Manufactured, with a Wide Array of Features and Options



Thermal Barrier frame with optimum 5/8-in. air space



Sturdy Powder Coated Hardware

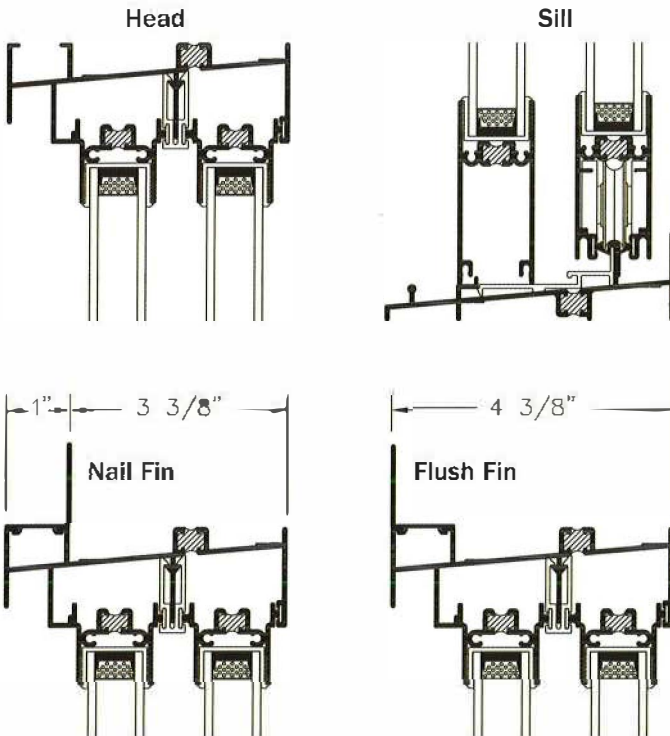
Series 1500 sliding glass doors are made from strong, durable, maintenance free aluminum, featuring our polyurethane Thermal Barrier. The barrier separates the interior and exterior surfaces, dramatically reducing heat loss in the winter and heat gain in the summer.

Standard Features

- Reversible door panels for either XO or OX operation
- Interlocking meeting rails
- High-density pile weatherstripping with mylar fin to seal out wind and water
- Sloped anodized sill to promote water runoff
- 7/8-in. insulated glass for optimum thermal efficiency
- Extruded aluminum sliding screen with fiberglass mesh
- White, Tan, Adobe, or bronze powder coat colors
- Integral Thermal Barrier throughout frame and sash

Available Options

- Nailing fin / Flush fin
- Custom sizes
- Divided lites
- Low-E glass
- Tinted glass
- Aluminum screen mesh
- Keyed locks



Nominal Size	Actual Size	Number of Panels
5'0" x 6'8"	59 3/8" x 80"	(2)
6'0" x 6'8"	71 3/8" x 80"	(2)
8'0" x 6'8"	95 3/8" x 80"	(2)
9'0" x 6'8"	107 1/4" x 80"	(3)
12'0" x 6'8"	143 1/4" x 80"	(3)

Cambridge Doors & Windows, Inc.
 "The Door & Window Specialist"
 12999 Murphy Rd, D-1
 Stafford, TX 77477
 (281) 530-8100
www.cambridgedoors.com